



ELECTRONIC DRUM KIT

SKU: LYXEDM800

User Guide

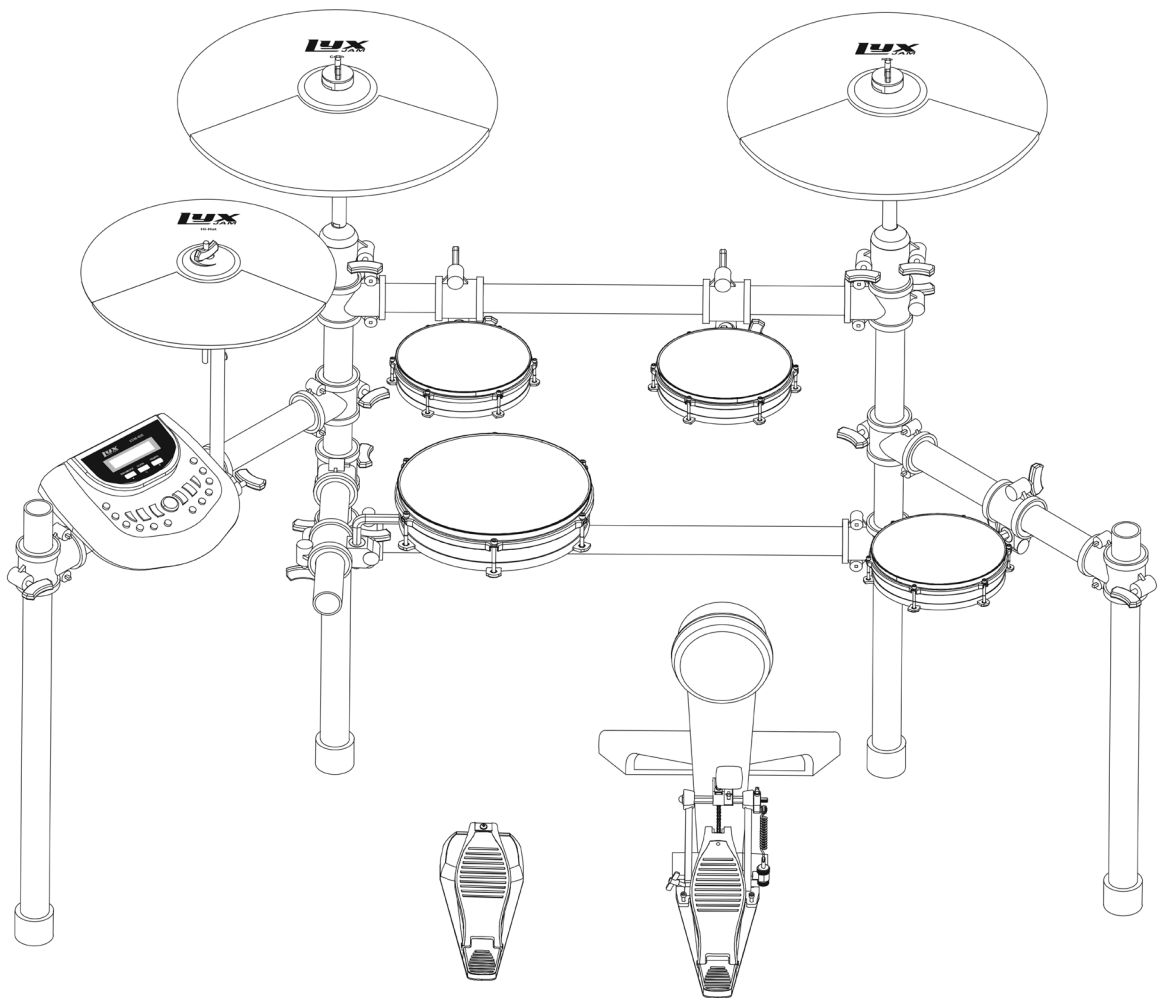


TABLE OF CONTENTS

FEATURES	2
SAFETY PRECAUTIONS	2
PARTS	3
ASSEMBLY INSTRUCTIONS	4
SPECIFICATIONS	9
WARRANTY	9

Thank you for purchasing the LyxPro™ Electronic Drum Kit. This Assembly Guide is intended to provide you with guidelines to ensure that operation of this product is safe and does not pose risk to the user. Any use that does not conform to the guidelines described in this Assembly Guide may void the limited warranty.

Please read all directions before using the product and retain this guide for reference. This product is intended for household use only. It is not intended for commercial use.

This product is covered by a limited one-year warranty. Coverage is subject to limits and exclusions. See warranty for details.

FEATURES

- Drum in a variety of environments: with headphones in your room, or connect to a sound system and play with a band.
- Plug in your computer to customize and trigger your own drum sounds.
- 70 pre-recorded songs for you to play along.
- Tailor drums and cymbals to your personal preferences.
- Rim effects standard on all pads and cymbals for a true drumming experience.

SAFETY PRECAUTIONS

- Please make sure you have thoroughly read and understood these instructions, as improper assembly of this drum kit could lead to personal injury or property damage.
- Make sure to set up this drum kit on a level, hard surface.
- Make sure that you install all parts in the order described without mixing up parts. Switching parts could be detrimental to the performance of this product.
- Do not allow children to assemble or play on this device.
- Always make sure to fully tighten the bolts after attaching parts to the kit.

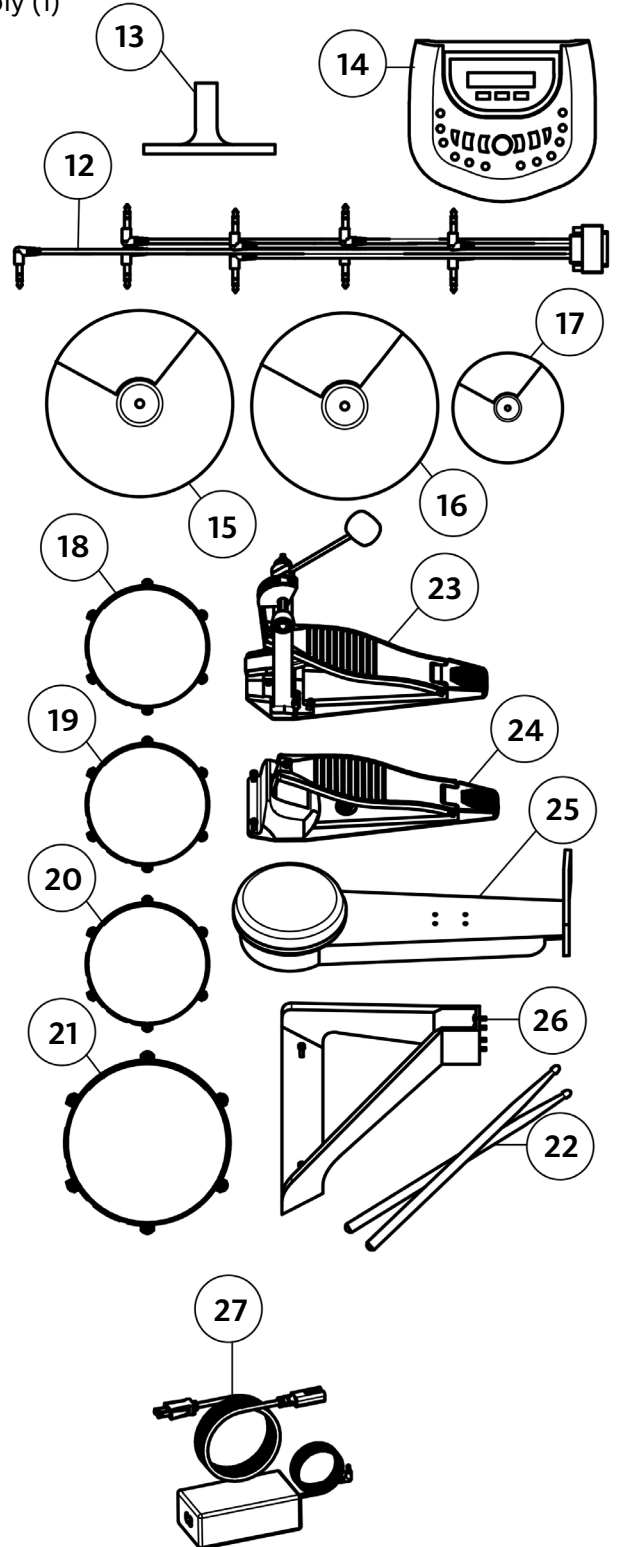
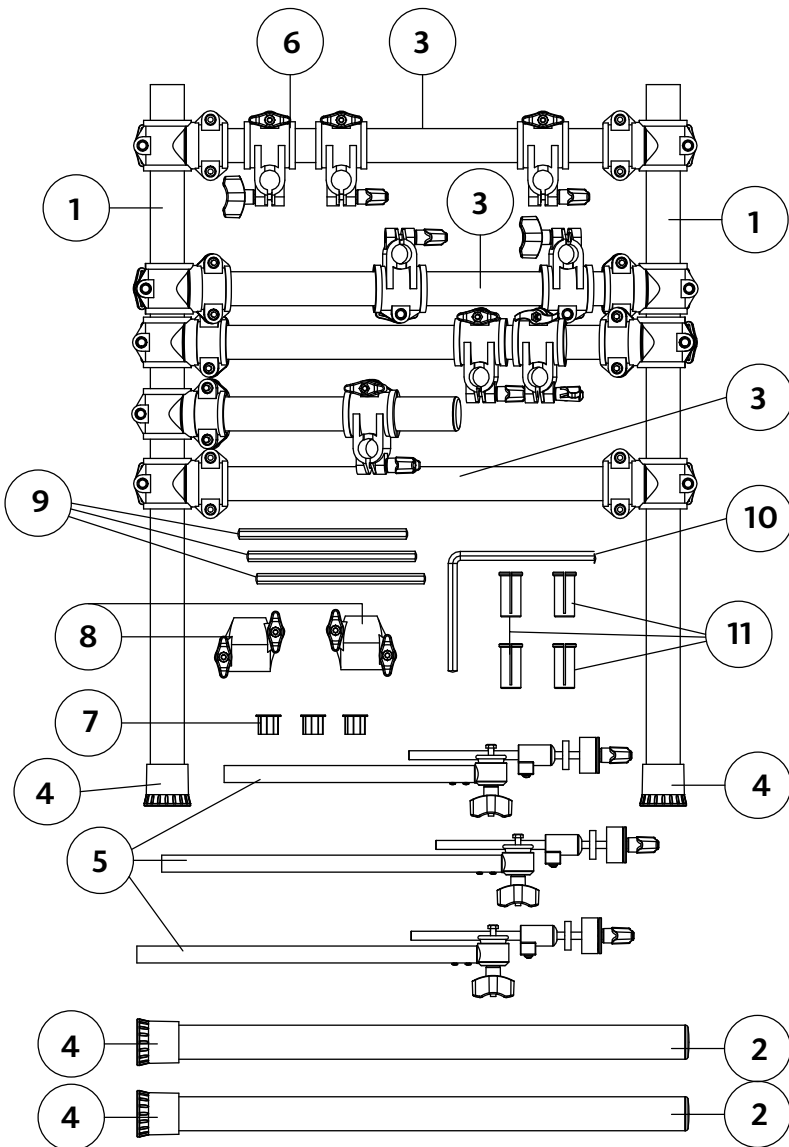
PARTS

FRAME:

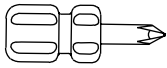
1. Inner legs (2)
2. Outer legs (2)
3. Cross bar (5)
4. Feet (4)
5. Cymbal stand (3)
6. Bar clamp (6)
7. Cymbal sleeve (3)
8. Cymbal clamp (2)
9. Drum rod (3)
10. L-rod (1)
11. Rod sleeve (4)

ACCESSORIES:

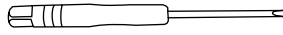
12. Wiring harness (1)
13. Module adapter (1)
14. Sound module (1)
15. Ride cymbal (1)
16. Crash cymbal (1)
17. Hi-hat cymbal (1)
18. Tom pad A (1)
19. Tom pad B (1)
20. Tom pad C (1)
21. Snare pad (1)
22. Drum sticks (2)
23. Kick pedal (1)
24. Hi-hat pedal (1)
25. Kick (1)
26. Kick brace (1)
27. Power supply (1)



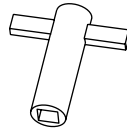
ACCESSORIES FOR ASSEMBLY:



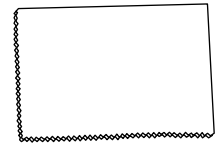
Philips screwdriver (1)



Slotted screwdriver (1)



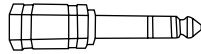
Key (1)



Cleaning cloth (1)



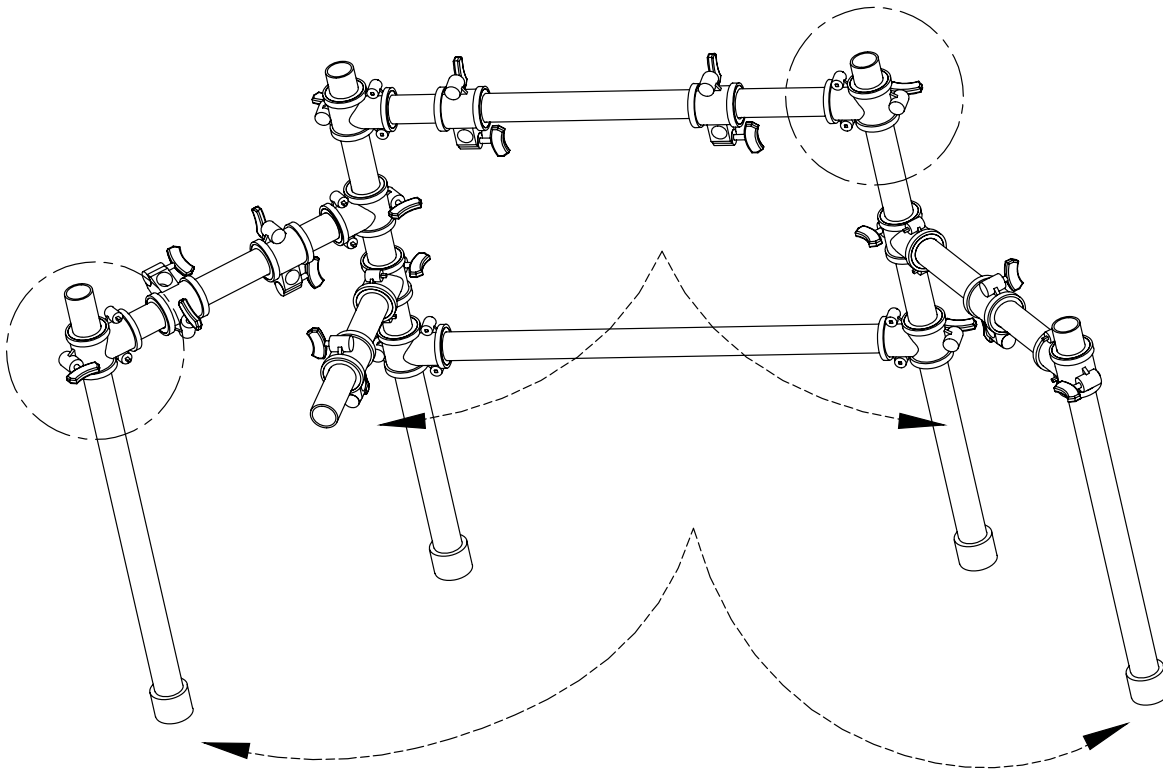
Self-fastening straps



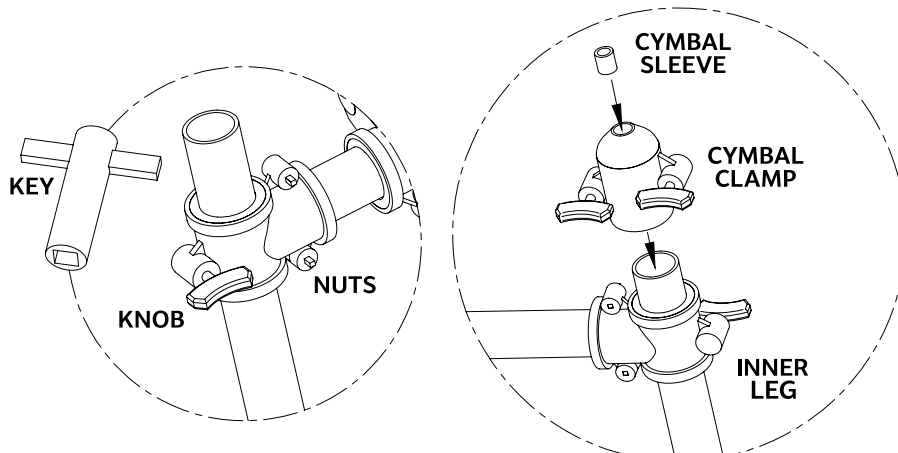
Audio adapter (1)

ASSEMBLY INSTRUCTIONS

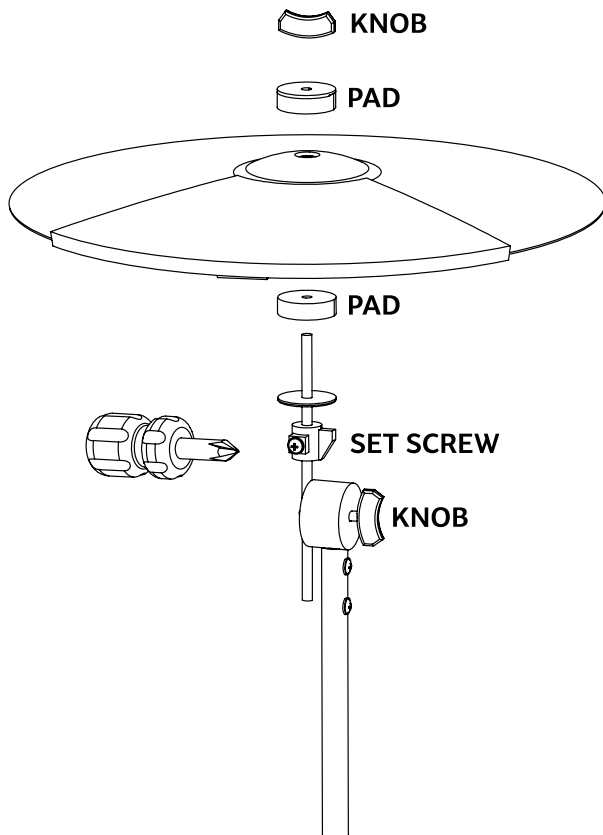
1. Place the frame on the floor and swing the arms away from the center as shown. Insert the feet into the frame, adjusting to ensure the legs are all level on the floor. This will secure the frame and prevent it from falling over.



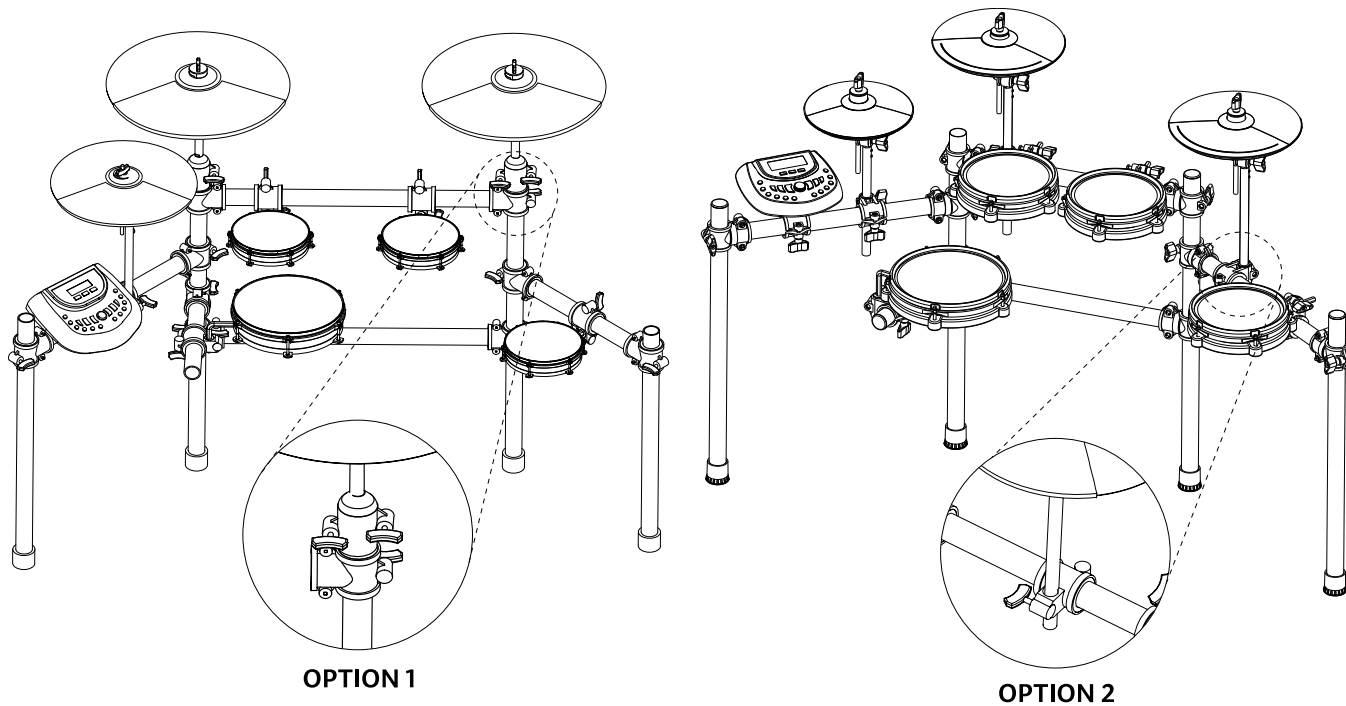
2. Tighten all the nuts with the included key. Tighten the knobs to secure the clamps to the bars. Assemble the two (2) cymbal clamps on the two (2) uprights as shown.



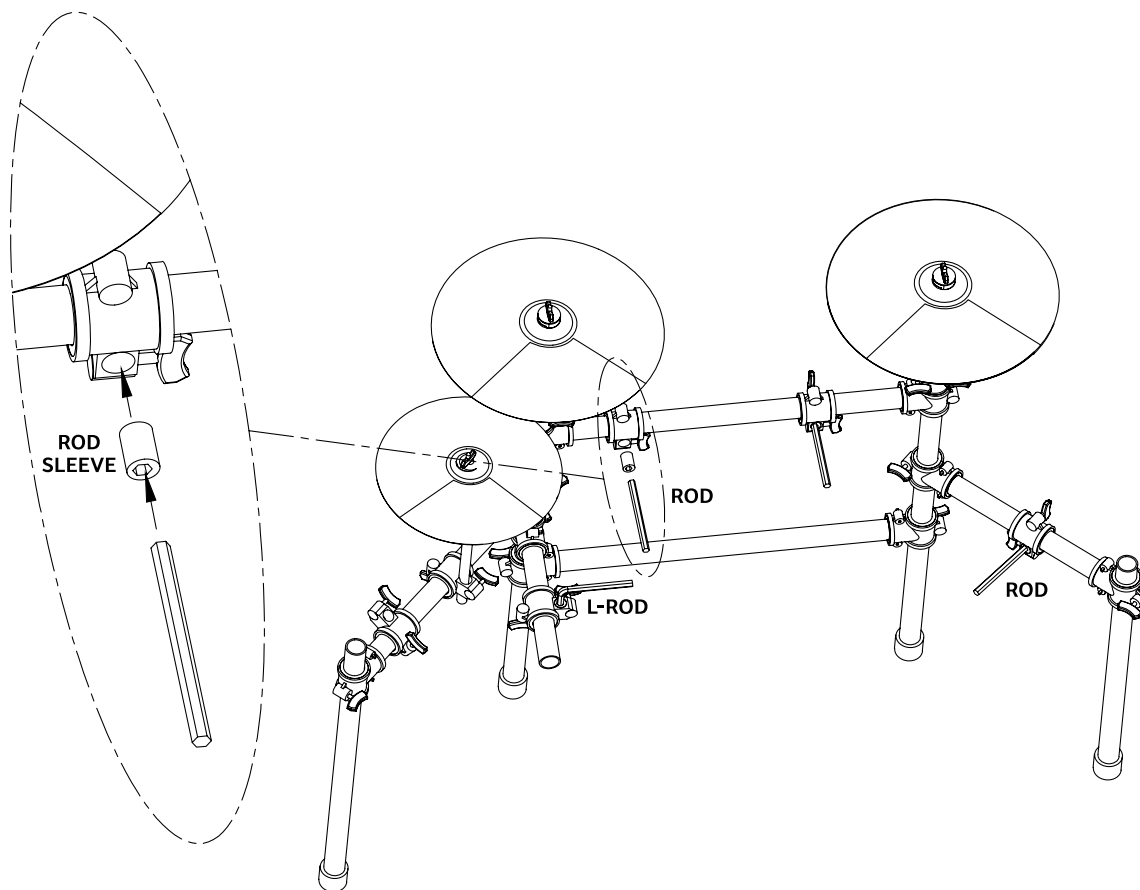
3. Install the cymbal rods into the sleeves on cymbal stands as shown. Use the included Philips screwdriver to tighten the set screw.



4. Install the cymbal + stand assemblies on the clamp stands.

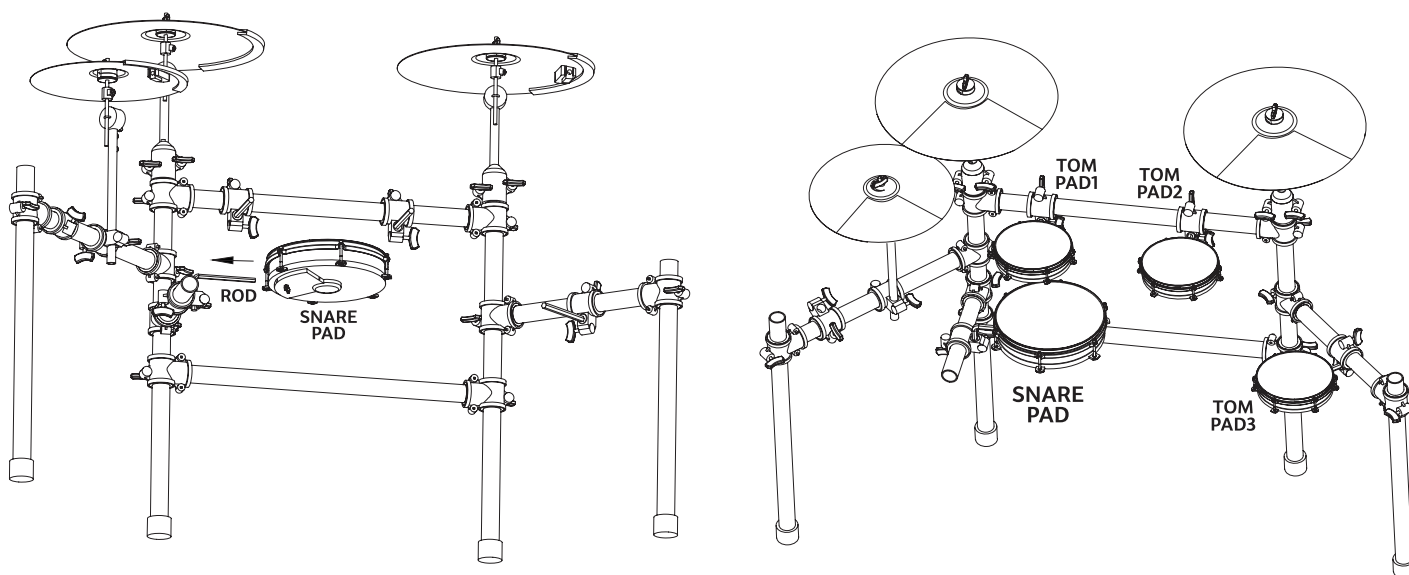


5. Carefully fit the rod sleeves into the arm clamps. Insert the three (3) rods and one (1) L-rod through the corresponding rod sleeves into the arm clamps in the arrangement shown below.

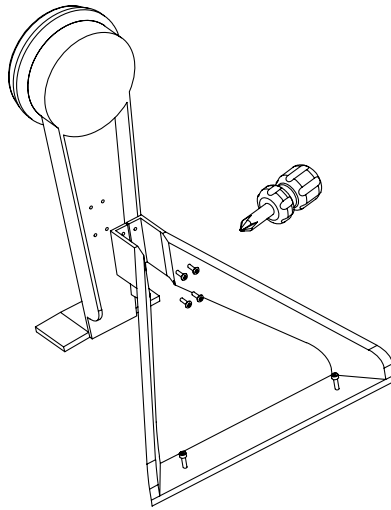


6. Connect the tom pads and snare pad to the rods by aligning the holes on the side of each pad with the rod, then carefully sliding the rod through the holes. After attaching the pads, tighten the knobs underneath the pads to secure them in place.

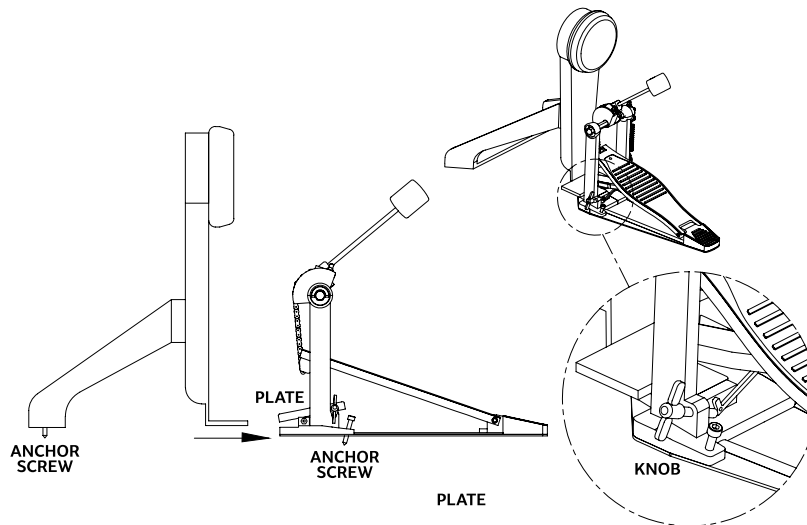
Note: The tom pads belong on the regular rods, and the snare pad goes on the L-rod.



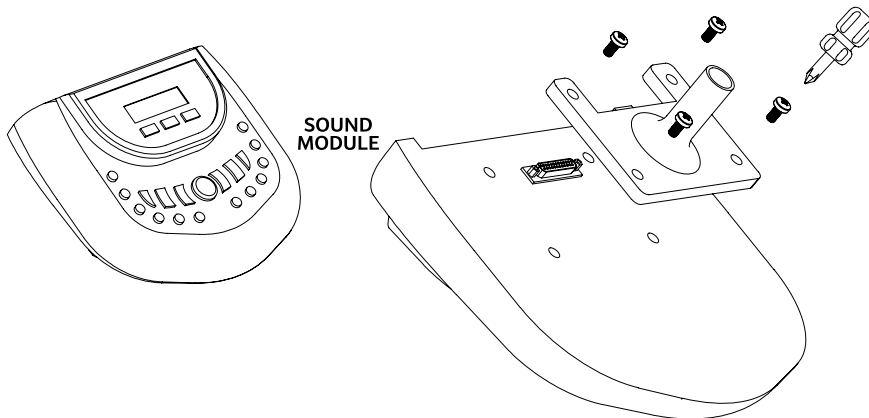
7. Remove the screws that come pre-installed in the kick pad. Align the holes on the kick brace with the holes on the kick pad as shown. Insert the four (4) screws you removed into the holes and use the Philips screwdriver to tighten them.



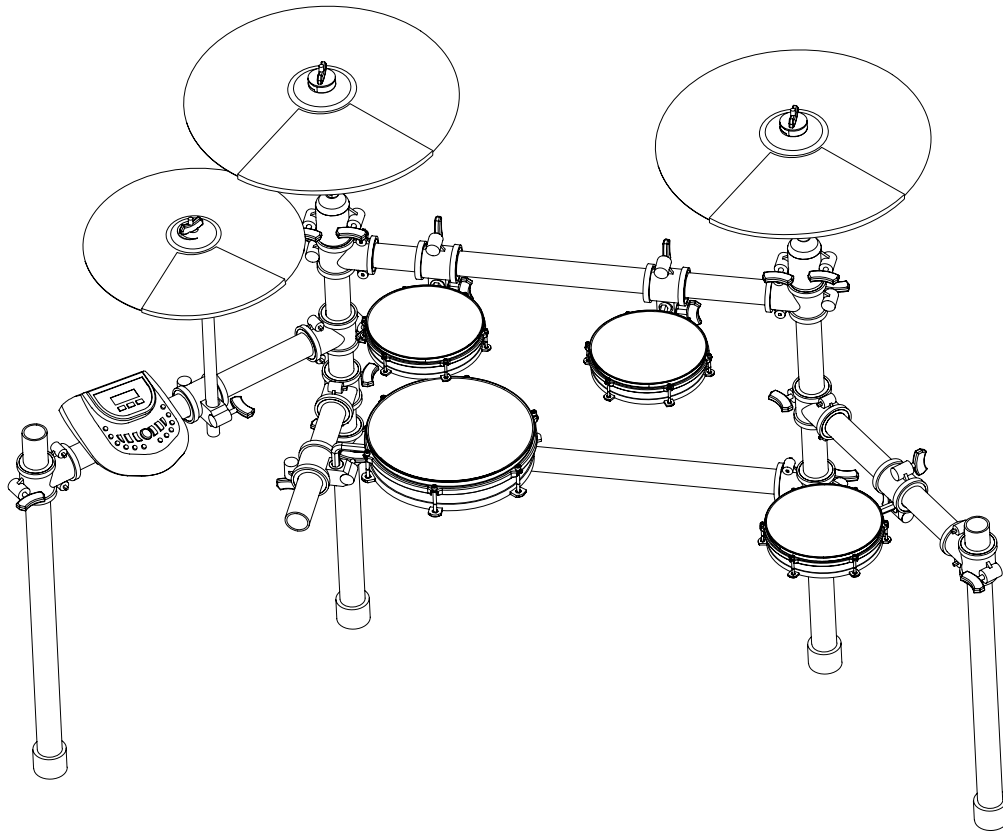
8. Slide the kick brace into the kick. Lock down the plate on the kick, using the knob on the kick. This will raise the rocker arm and tighten the plate simultaneously. If you're using the kick on a carpeted surface, turn the anchor screws on both the plate and the pedal so that they extend into the carpet.



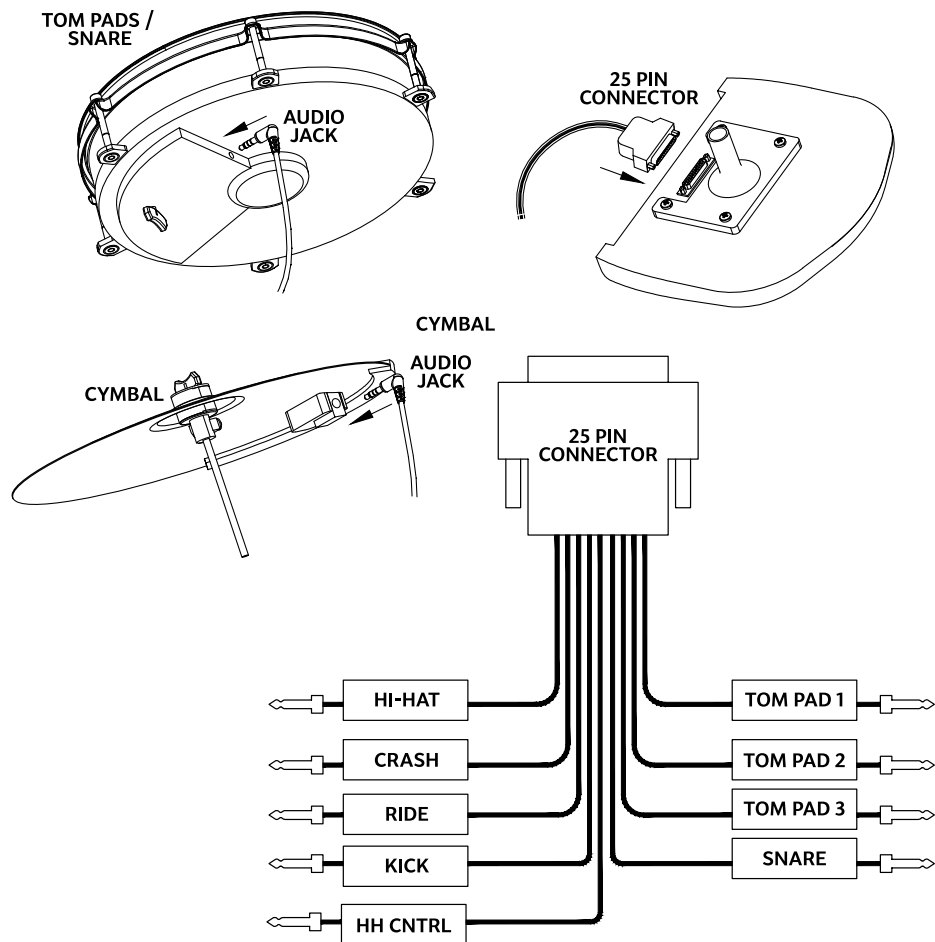
9. Remove the pre-installed screws from the sound module. Attach the module adapter to the bottom of the sound module using the four (4) screws you removed and a Philips screwdriver



10. Install the module adapter on the remaining clamp, then tighten the knob to secure it in place.



11. Insert the 25-pin connector from the wiring harness into the corresponding slot on the bottom of the sound module. Plug the audio jack connectors into the corresponding ports underneath each of the drum and cymbal pads. (Refer to the diagram below.) Use the self-fastening straps for effective cable management.



SPECIFICATIONS

Drum & Cymbals:

- Tom Pad diameter with mesh: 8" (20.32 cm)
- Snare Pad diameter with mesh: 10" (25.4 cm)
- Crash Cymbal diameter: 12" (30.48 cm)
- Ride Cymbal diameter: 12" (30.48 cm)
- Hi-Hat Controller diameter: 8" (20.32 cm)
- Kick Pedal Pad diameter: 6" (15.24 cm)

Sound Module:

- Pre-loaded sounds: 448
- Polyphony notes: 81
- Pre-loaded kits: 40 (20 presets, 20 user-created slots)
- Pre-loaded songs: 70, drum mute
- Sound effects: 3 (reverb, compressor, equalizer)
- Equalizer bands: 4
- Metronome: 6 (on/off, tempo, volume, voice, signature, tap)
- Song recording capacity: 15
- Sound module display: back-lit LCD, 2 rows, 16 characters
- Sound module power: 12 V, DC
- Connection ports: 2 external, 2 line-in & line-out, headphones, USB, 12 V

LIMITED WARRANTY ON LYXJAM™ ELECTRONIC DRUM KIT

THIS LIMITED WARRANTY GIVES YOU SPECIFIC LEGAL RIGHTS AND YOU MAY ALSO HAVE OTHER RIGHTS, WHICH VARY FROM STATE TO STATE.

WE WARRANT THAT DURING THE WARRANTY PERIOD, THE PRODUCT WILL BE FREE FROM DEFECTS IN MATERIALS AND WORKMANSHIP.

LIMITATION OF LIABILITY

TO THE EXTENT NOT PROHIBITED BY LAW, THIS WARRANTY IS EXCLUSIVE AND IN LIEU OF ALL OTHER WARRANTIES, ORAL, WRITTEN, STATUTORY, EXPRESS OR IMPLIED. EXCEPT FOR THE EXPRESS WARRANTIES CONTAINED IN THIS LIMITED WARRANTY STATEMENT AND TO THE EXTENT NOT PROHIBITED BY LAW, WE DISCLAIM ALL OTHER WARRANTIES, EXPRESSED OR IMPLIED, STATUTORY OR OTHERWISE, INCLUDING WITHOUT LIMITATION, THE WARRANTIES OF MERCHANTABILITY AND FITNESS FOR A PARTICULAR PURPOSE. SOME STATES DO NOT ALLOW DISCLAIMERS OF IMPLIED WARRANTIES, SO THIS DISCLAIMER MAY NOT APPLY TO YOU. TO THE EXTENT SUCH WARRANTIES CANNOT BE DISCLAIMED UNDER THE LAWS OF YOUR JURISDICTION, WE LIMIT THE DURATION AND REMEDIES OF SUCH WARRANTIES TO THE DURATION OF THIS EXPRESS LIMITED WARRANTY.

OUR RESPONSIBILITY FOR DEFECTIVE GOODS IS LIMITED TO REPAIR, REPLACEMENT OR REFUND AS DESCRIBED BELOW IN THIS WARRANTY STATEMENT.

WHO MAY USE THIS WARRANTY? TC&A Marketing, Inc. located at 114 Tived Lane East, Edison, NJ ("we") extend this limited warranty only to the consumer who originally purchased the product ("you"). It does not extend to any subsequent owner or other transferee of the product.

WHAT DOES THIS WARRANTY COVER? This limited warranty covers defects in materials and workmanship of the LyxJam™ electronic drum kit (the "product") for the Warranty Period as defined below.

WHAT DOES THIS WARRANTY NOT COVER? This limited warranty does not cover any damage due to: (a) transportation; (b) storage; (c) improper use; (d) failure to follow the product instructions or to perform any preventive maintenance; (e) modifications; (f) unauthorized repair; (g) normal wear and tear; or (h) external causes such as accidents, abuse, or other actions or events beyond our reasonable control.

WHAT IS THE PERIOD OF COVERAGE? This limited warranty starts on the date of your purchase and lasts for one year (the "Warranty Period"). The Warranty Period is not extended if we repair or replace the product. We may change the availability of this limited warranty at our discretion, but any changes will not be retroactive.

WHAT ARE YOUR REMEDIES UNDER THIS WARRANTY? With respect to any defective product during the Warranty Period, we will, at our sole discretion, either: (a) repair or replace such product (or the defective part) free of charge or (b) refund the purchase price of such product if an exchange unit cannot be provided.

HOW DO YOU OBTAIN WARRANTY SERVICE? To obtain warranty service, you must contact us at 1-866-849-3049 or by email at info@lyxpro.com during the Warranty Period to obtain a Defective Merchandise Authorization ("DMA") number. No warranty service will be provided without a DMA number and return shipping costs to our facilities shall be assumed by you, the purchaser. Shipping costs of the replacement unit to you shall be assumed by us.

QUESTIONS OR CONCERNS? WE WANT TO HEAR FROM YOU!

info@lyxpro.com

1-866-849-3049

LyxPro, LyxJam, and their associated logos are trademarks of C&A IP Holdings, LLC. in the U.S.

All other products, brand names, company names, and logos are trademarks of their respective owners, used merely to identify their respective products, and are not meant to connote any sponsorship, endorsement or approval.

Distributed by C&A Marketing, Inc., 114 Tived Lane East, Edison, NJ 08837.

© 2020. C&A IP Holdings, LLC. All Rights Reserved.