



# BOOM ARM STAND User Guide

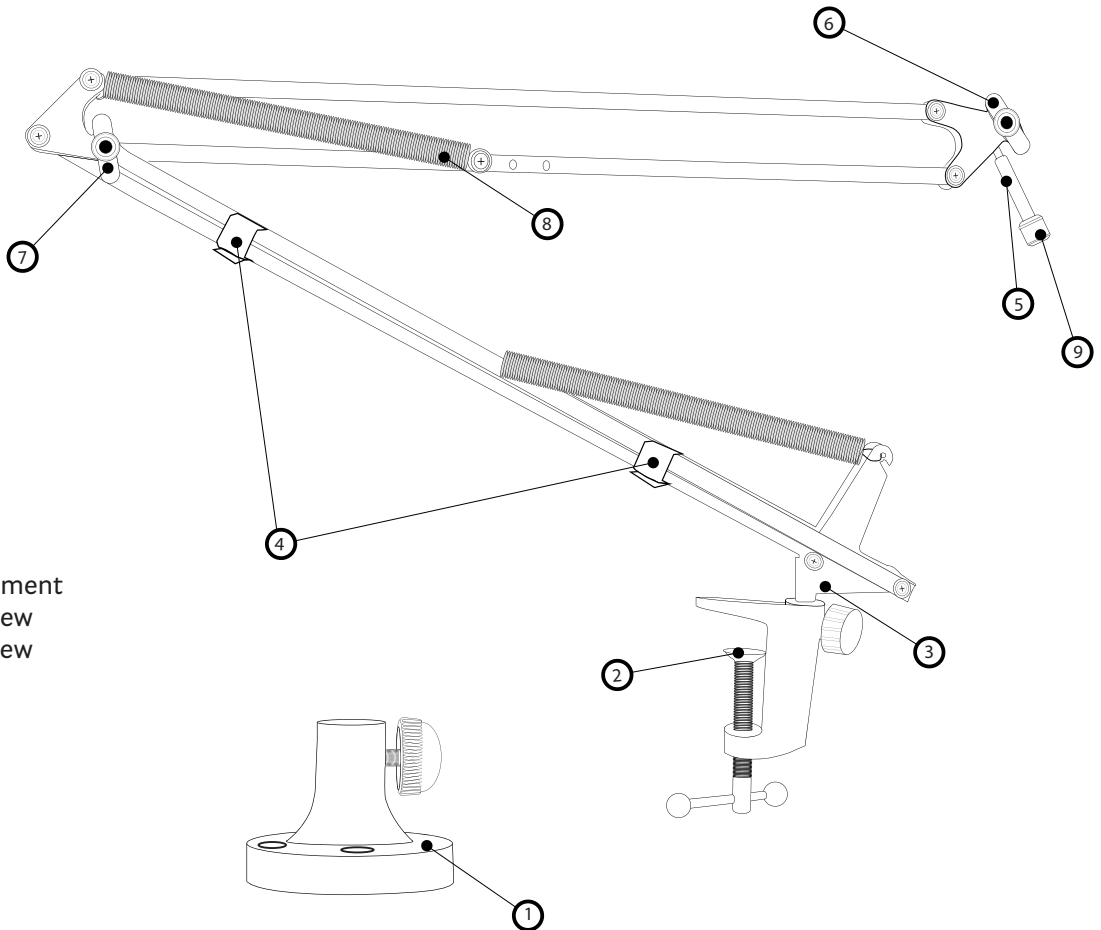
Thank you for purchasing the LyxPro Boom Arm Stand. This User Guide is intended to provide you with guidelines to ensure that operation of this product is safe and does not pose risk to the user. Any use that does not conform to the guidelines described in this User Guide may void the limited warranty.

Please read all directions before using the product and retain this guide for reference. This product is intended for household use only.

This product is covered by a limited one-year warranty. Coverage is subject to limits and exclusions. See warranty for details.

## Box contents

- Boom arm stand
- Clamp support base
- Desk attachment
- Velcro tags
- User guide



## Parts

1. Desk attachment
2. Desk clamp
3. Arm
4. Velcro tags
5. Microphone attachment
6. Mic attachment screw
7. Arm tightening screw
8. Adjustment spring
9. 5/8" screw adapter

## Mounting via desk attachment

1. Choose a location to place the boom stand. Test the position of the stand before deciding, as you will be permanently drilling holes into the desk.
2. Mark the location where you will be positioning the desk attachment, checking that it meets the recommended distance .
3. Pre-drill 3 holes into the marked area.
4. Screw the desk attachment into the desk.
6. Insert the arm into the top of the desk attachment. Twist the knob until tight and secure. The boom stand is now installed and the microphone can be attached.

## Mounting via desk clamp

1. Unscrew the clamp until the opening is large enough to fit over the edge of the desk or table.
2. Push the clamp onto the table as far as it will go. This will make the attachment more secure.
3. Fasten the clamp to the desk by turning the handle until it is tight against the underside of the table. Check that the clamp sits flush on both the top and bottom surfaces of the table.
4. Check that the clamp is securely mounted by attempting to pull it off of the surface. If the clamp comes off easily, try reattaching it more tightly and test it again.
5. Insert the arm into the hole at the top of the clamp.

## Adjusting the tightening spring of the boom stand

1. Remove the spring by pulling it upwards and out of the screw
2. Unscrew the pin on the side of the arm.
3. Reinsert the pin into the desired hole
4. Screw the pin into place until tight and secure.

## Care and maintenance

- Periodically wipe away dust with a soft dry cloth.
- Store in a safe place where the parts will not become lost or damaged.

## **Specifications:**

construction: aluminum

size of boom 42.5" (21" vertically and 21.5" horizontally)

max desk thickness for clamp 2.5"

max microphone weight 4 lbs

weight 2.25 lbs

Customer Service:

info@lyxpro.com

866-849-3049

LyxPro is a trademark of C&A IP Holdings, LLC. Registered in the United States.

**www.lyxpro.com**

Distributed by  
C&A Marketing, Inc.  
114 Tived Line East  
Edison, NJ 08837

**info@lyxpro.com**

**MADE IN CHINA**

LyxPro is a trademark of C&A IP  
Holdings, LLC

©2017 All Rights Reserved