



ATSM-1 TABLET MOUNT ATTACHMENT FOR MICROPHONE STANDS User Manual

LYXATSM1

Thank you for purchasing the LyxPro Tablet Mount Attachment. This User Guide is intended to provide you with guidelines to ensure that operation of this product is safe and does not pose risk to the user. Any use that does not conform to the guidelines described in this User Guide may void the limited warranty.

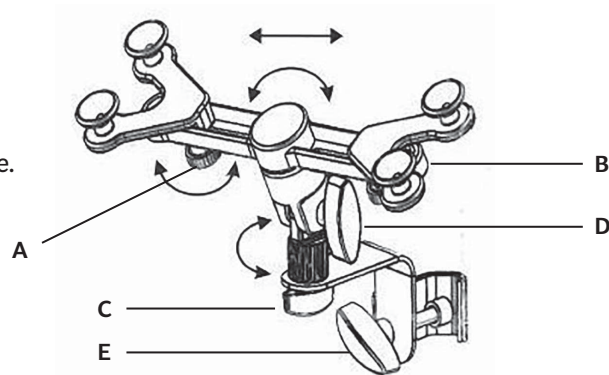
Please read all directions before using the product and retain this guide for reference. This product is intended for household use only. This product is covered by a limited one-year warranty. Coverage is subject to limits and exclusions. See warranty for details.

Securing your phone or tablet to the mount

1. Loosen knobs A and B until the grips are moveable.
2. Place your phone or tablet between the grips, so that they hold onto the corners of the device.
3. Tighten knobs A and B until the device is securely in place.

NOTE: If using a phone or other small device, you may need to remove one or both of the grips and flip them so that they face inward rather than outward.

4. To adjust the angle of the mounted device, loosen knobs C and D, then adjust the angle. When the angle is correct, tighten knobs C and D again to hold the position.



Mounting the attachment to a mic stand

1. Loosen knob E until the vice fits around the mic stand.
2. Tighten knob E until the attachment is mounted securely onto the mic stand.

Customer Service

info@lyxpro.com
866-849-3049

www.lyxpro.com

C&A Marketing, Inc.
114 Tived Lane East
Edison, NJ 08837 USA

C&A Marketing UK LTD
167 Hermitage Road
Crusader Industrial Estate
London N4 1LZ
United Kingdom

info@lyxpro.com
MADE IN CHINA

LyxPro is a trademark of
C&A IP Holdings, LLC
©2017 All Rights Reserved